

ECS series

144 watts



Features

- 3U Eurocard Format
- Nominal Inputs from 12 to 110 Vdc
- 24 and 48 Vdc Outputs

Ideally Suited For:

- Telecommunications
- Computing
- Instrumentation

Input Characteristics

Input Voltage:	Nominal Voltage	Input Voltage Range
	12VDC	10 to 16 VDC
	24 VDC	18 to 36 VDC
	48 VDC	36 to 72 VDC
	72 VDC	50 to 96 VDC
	110 VDC	90 to 140 VDC

Efficiency:	75% to 92%
Voltage Surge Protection:	MOV
Inverse Polarity Protection:	Internal reverse diode
Overload Protection:	via external fuse
Inrush Current Limiting:	3 times Full Load

Output Characteristics

Output Voltage Accuracy:	0 to 2%
Line and Load Regulation:	< 1%
Ripple and Noise:	<20 mV plus 1% Vout (0-30 MHz)
Transient Response/Recovery Time:	+/-3% (1 mSec)
Temperature Coefficient:	<0.02%/degree C
Current Limiting:	>120% maximum output
Short Circuit Protection:	Continuous

Environmental Characteristics

Operating Temperature Range:	-20°C to +70°C ambient
Storage Temperature Range:	-40°C to +85°C ambient
Maximum Baseplate Temperature:	+85°C
Derating:	Derate 2% per °C beyond 55°C case temperature
Humidity:	95% RH
Reliability (MTBF per Mil-HDBK-217):	>250,000 hours, +25°C, Ground benign

General Characteristics

Switching Frequency:	60 kHz
Isolation (Input to Output):	1500 VAC input to output
Insulation Resistance:	>100 megohms measured at 500 VDC
Agency Approvals:	CE Mark

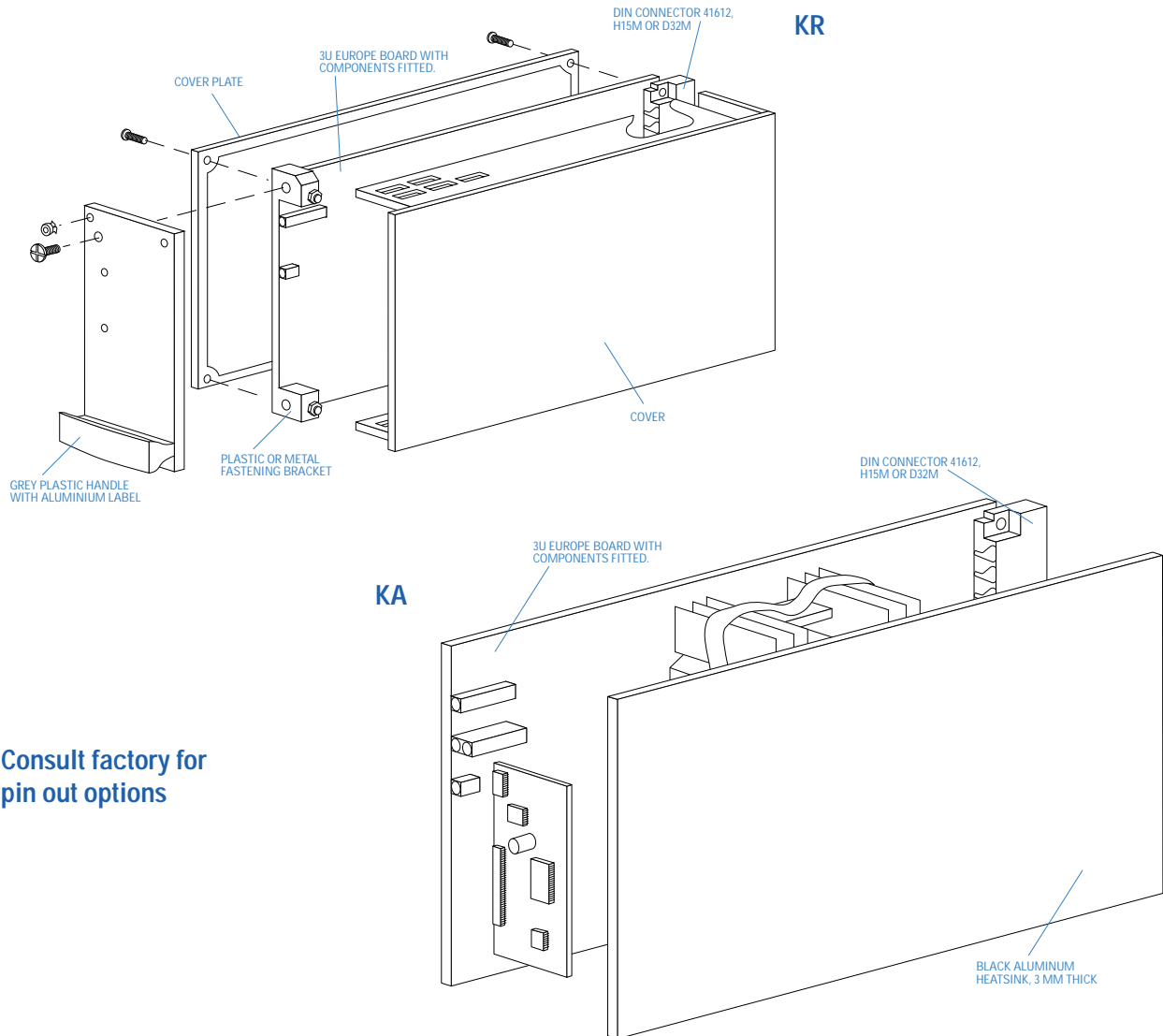
EMC Characteristics

Conducted emissions:	EN55022
Radiated emissions:	EN55022
ESD:	EN61000-4-2
Radiated immunity:	EN61000-4-3
Fast Transients:	EN61000-4-4
Surge:	EN61000-4-5

**MARTEK
POWER**

www.martekpower.com

Outline Drawing



Consult factory for
pin out options

Available Models

Model	Input Voltage (VDC)	Output Voltage (VDC)	Output Current (A)	Case Code	Front Panel Thickness
ECSXX246000	12,24,48,72,110	24	6	KA KR	10TE
ECSXX483000	12,24,48,72,110	48	3	KA KR	10TE

XX Specify nominal input voltage.

To order please specify model number, desired input voltage and preferred case configuration code, i.e. ECS 110 48 3000 KR.

All specifications are typical at 25 degrees C with nominal input voltage and full output unless otherwise noted. Specifications are subject to change without notice. All dimensions are typical.